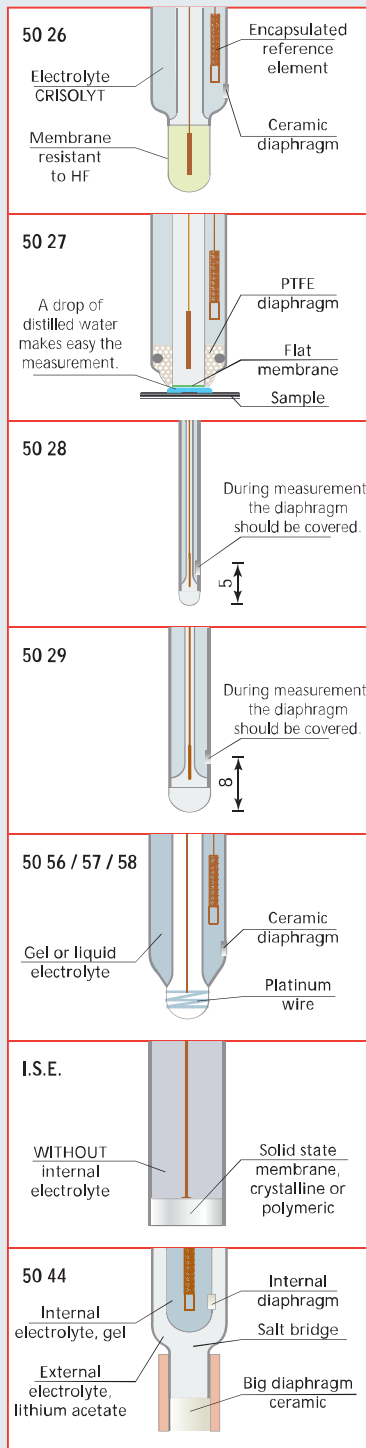


Special pH electrodes

For applications that require some special feature of the electrode. For example, small sample amount, solutions containing hydrofluoric acid, etc.

Details:



For samples with HF

pH 50 26

The membrane is resistant to HF in the conditions shown in the table.

Higher content or at lower pH values the membrane is destroyed in very short period of time.

pH@20°C	F ⁻ limit
2	300 ppm
3	1000 ppm
4	6000 ppm
≥5	without limit

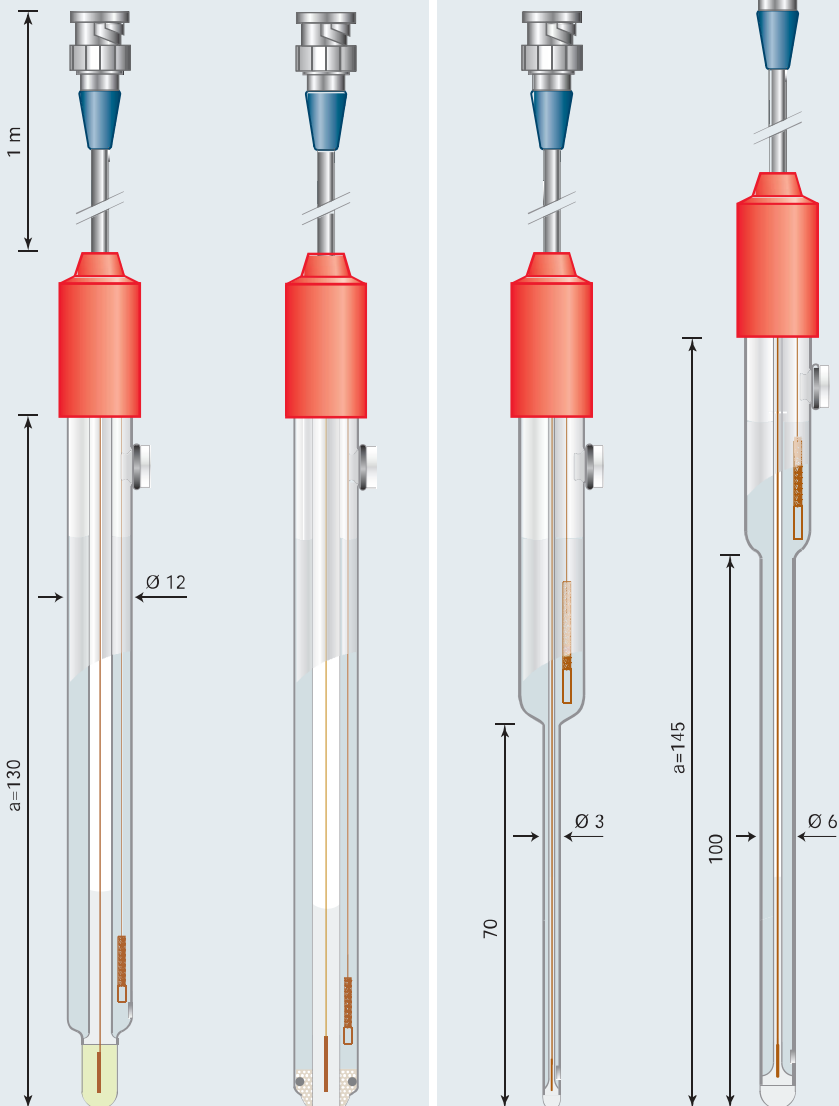
For flat surfaces

50 27

Its main characteristic is that its diaphragm and the membrane are on the same plane.

Applications

Paper, fabric, leather, agar, leaves, etc.



For microsamples

pH 50 28, Ø 3

pH 50 29, Ø 6

Electrodes suitable to measure pH in very small sample volumes.

The 50 28 can measure in volumes from 100 µl.

Applications

Biology and clinics

Limits

Fragile, especially 50 28.

Specifications

Electrode code	50 26	50 27	50 28	50 29
Measuring interval	1...11 pH	0...14 pH		0...14 pH
Working temperature	0...80 °C	0...80 °C		0...80 °C
Reference element		cartridge		cartridge
Diaphragm	ceramic	anular in PTFE		ceramic
Electrolyte	CRISOLYT	CRISOLYT		CRISOLYT
Body material	glass	glass		glass