

Electrodes

pH/ORP/Conductivity/TDS

pH Electrode	EC100GTSO-05B	ECARGTSO-05B	ECARHTTSO-05B	ECARTSOHF-05B
Range	0 to 14 pH			0 to 14 pH HF resistant
Reference	Annular Teflon, double junction			
Reference electrolyte	Saturated KCl, polymerized gel			
Operating temperature	0 to 80 °C		0 to 110 °C	0 to 80 °C
Pressure tolerance	6 bar		9 bar	6 bar
Temperature sensor	Pt 100		N.A.	
Ground pin	Platinum		N.A.	
Material	PPS (Ryton)			
Thread	3/4" NPT			
Cable	Integral 5m low-noise semi-conductor screened			
pH Connector	BNC			
Dimensions : Length	151 mm (excludes cable)			
Diameter	26 mm (external)			
Weight	650 g		430 g	

pH/ORP Electrode	ECARTSO-05B	DA9350605B	ECHTAUTSO-05B	ECHTPTTSO-05B
Range	0 to 14 pH		-999 to +1000 mV	
Sensor	N.A.	N.A.	Gold	Platinum
Reference	Annular Teflon, double junction	Annular Ceramic ring, double junction	Annular Teflon, double junction	
Reference electrolyte	Saturated KCl, polymerized gel	Saturated KCl, liquid-fill	Saturated KCl, polymerized gel	
Operating temperature	0 to 80 °C	0 to 50 °C	0 to 80 °C	
Pressure tolerance	6 bar	1 bar	6 bar	
Ground pin	N.A.		Platinum	
Material	PPS (Ryton)	ABS	PPS (Ryton)	
Thread	3/4" NPT	N.A.	3/4" NPT	
Cable	Integral 5m low-noise semi-conductor screened		Integral 5m low-noise semi-conductor screened	
pH Connector	BNC		BNC	
Dimensions : Length	151 mm (excludes cable)		151 mm (excludes cable)	
Diameter	26 mm (external)		26 mm (external)	
Weight	430 g		500 g	

Conductivity Electrode	ECCONSEN88X	ECCONSEN89X	ECSS10-0-1S	EC91346S
Conductivity Range	0.01 to 2 mS/cm	0.1 to 200 µS/cm	0.1	up to 500 mS/cm
Cell constant, k	1.0	0.1	0.1	0.3, 4 cell
Temperature sensor	Pt100			
Pressure rating	1 bar		6 bar	
Material	Graphite		SS 316	
Thread	N.A.		1/2" NPT	3/4" NPT
Cable	Integral 7.5m 6-wire double-shielded, open			7.6 m, 8-wire double shielded, open
Dimensions : Length	132 mm		168 mm	150.5 mm
Diameter	12 mm		26 mm	22.2 mm
Weight	316 g		595 g	650 g

Ordering Information

Order No.	Item
ECPHCP0550	αlpha pH550, pH/ORP Monitor with 110 & 220VAC to 9VDC adapter
ECPHCP0560	αlpha pH560, pH/ORP Controller with 2 relay outputs and 110 & 220VAC to 9VDC adapter
EC100GTSO-05B	pH electrode, with Pt 100, ground pin, 5m cable
ECARGTSO-05B	pH electrode with ground pin, 5m cable
ECARHTTSO-05B	pH electrode without ATC, 5m cable, high temperature application
ECARTSOHF-05B	pH electrode without ATC, 5m cable, HF resistant glass
ECARTSO-05B	pH electrode, general purpose, 5m cable
ECDA93506-05B	Submersible pH electrode, 5m cable
ECHTAUTTSO-05B	Gold ORP electrode with ground pin, 5m cable
ECHTPTTSO-05B	Platinum ORP electrode with ground pin, 5m cable
ECCONCP0550	αlpha CON550, Conductivity Monitor with 110 & 220VAC to 9VDC adapter
ECCONCP0560	αlpha CON560, Conductivity Controller with 2 relay outputs and 110 & 220VAC to 9VDC adapter
ECCONSEN88X	Epoxy-body graphite sensor, 1.0 cell constant, Pt 100, 3m cable
ECCONSEN89X	Epoxy-body graphite sensor, 0.1 cell constant, Pt 100, 3m cable
ECSS10-0-1S	SS316-body sensor, 0.1 cell constant, Pt 100, 7.5m cable
EC91346S	4 cell conductivity electrode, 30 feet cable, 3 wire Pt100

Warranty

Eutech Instruments warrants its meters to be free from manufacturing defects for a period of one year and electrodes for six months.

Note: Eutech Instruments reserves the rights to make changes, improvements and modifications to products shown, without prior notice.

Distributed By:

EUTECH
INSTRUMENTS
Technology Made Easy ...



www.eutechinst.com
marketing@eutechinst.com
Singapore ♦ USA ♦ Netherlands ♦ Malaysia ♦ China

CON 08X233412 11/05 Rev 0

αlpha 550 & 560 Series

1/4 DIN Industrial Monitor

• pH • ORP • Conductivity



- Push-button Calibration / Setup
- ATC with Pt 100 / Pt 1000 (2 or 3 wire system) / MTC
- Panel or Wall mountable (IP65 weatherproof housing)
- 2 Set point relays for 560 models
- 110 and 220 VAC to 9VDC adapter included

EUTECH
INSTRUMENTS
Technology Made Easy ...

αlpha 550 & 560 Series

¼ DIN Industrial Monitor — pH/ORP/Conductivity

NIST or USA pH BUFFER OPTIONS

αlpha pH 550 Monitor and 560 Controller allow user to select USA (4.01, 7.00 or 10.01) or NIST (4.01, 6.86 or 9.18) pH buffer standards during calibration.

CUSTOM DUAL DISPLAY LCD

Primary and secondary displays are available for simultaneous display of pH, ORP, Conductivity and Temperature values. Allows instantaneous viewing of measured readings and setup configurations.

EASY PUSH-BUTTON OPERATION

Simply calibrate or adjust setup configuration with just a few touches of the buttons. Intelligent program in αlpha pH 550 Monitor and 560 Controller prompts respective buffers for easy calibration. Similarly, push-button offset adjustment makes calibration simple in the conductivity models.

TEMPERATURE COMPENSATION

Compensates variance in the measured readings due to temperature fluctuations, either Automatically (with Pt 100) or Manually (Process and Calibration temperatures can be set separately).

PANEL OR WALL MOUNT, IP65 WEATHERPROOF HOUSING

Meters can be mounted on the wall or in a control panel. In addition, the IP65 rated housing allows the meter to be installed outdoors or indoors. Mounting accessories are included for both types of mounting.

SYMMETRICAL MODE OF OPERATION

Unique mode available in the αlpha pH 550 Monitor and 560 Controller allow the meters to be operated in environments with electrical interferences. Simply configure the meter to the symmetrical mode and attach a potential matching pin.

αlpha 560 Controllers offer additional advanced features for more efficient online process control

EASY TO USE CONTROLLER FUNCTIONS

Two switching contacts acting as set-point relays simplify your task of controlling various processes. Separately adjustable high and low set-point hysteresis ensure chatter-free signal at the set-points.

ADVANCED FEATURES FOR BETTER CONTROL

Ability to set a time-delay up to 2000 seconds eliminates unneeded control and prevents false alarms, making it ideal for industrial environments.

BACK-LIT UV LIGHT PROTECTED LCD

Back-lit display ensures easy reading even in the dark. UV light protection minimises adverse effect of exposure to sunlight.

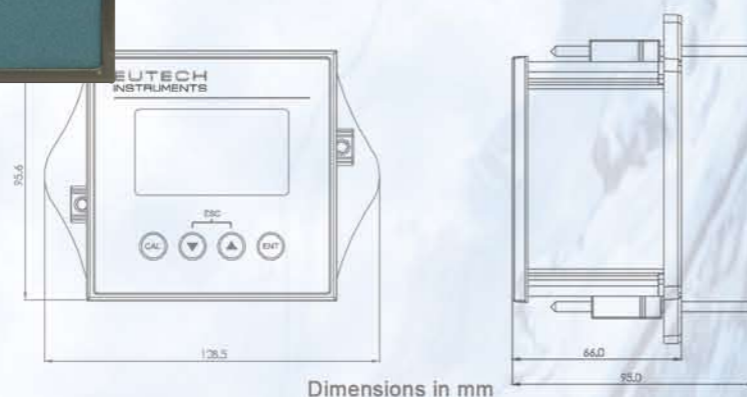
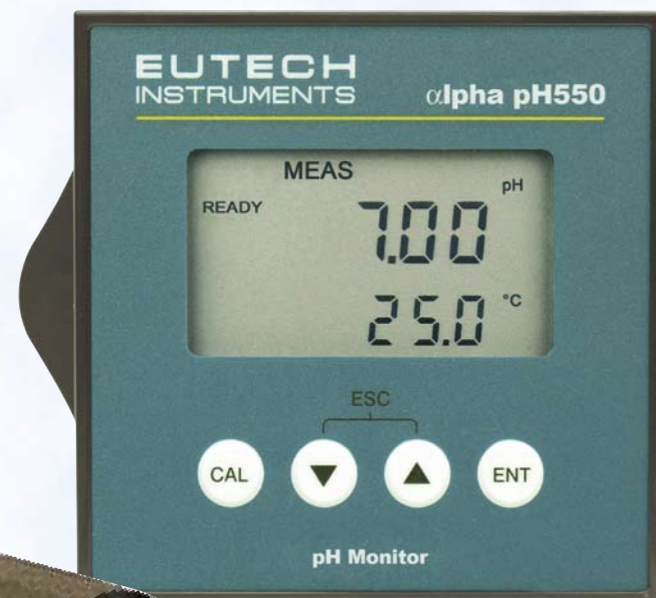


αlpha pH 550/560 Specifications			
	Range	Resolution	Accuracy
pH	0.00 to 14.00 pH	0.01 pH	0.01 pH
mV	-1000 to 1000 mV	1 mV	±1 mV
Temperature	-10 °C to 125 °C (14 °F to 257 °F)	0.1 °C (0.1 °F)	±0.5 °C (±0.9 °F)
Sensor	Pt100 / Pt1000 (3 wire / 2 wire) (selectable)		
Temperature Compensation	Auto/Manual (reference at 25 °C)		
Calibration Point	Up to 2 points		
Calibration Buffers	USA : 4.01, 7.00, 10.01; NIST : 4.01, 6.86, 9.18		
Input	Asymmetrical/Symmetrical		
*Controller Function	Limit Control		
*Relay Operating Parameters	LO (Relay active when measured value < set point) HI (Relay active when measured value > set point)		
*Time Delay	0 to 2000 seconds		
*Switching pH Hysteresis	±1.0 pH		
*Contact Output	2 SPST relay		
*Switching Voltage/Current Power	Max 250VAC/Max 3A/MAX 600 VA		
Display	Dual Display Custom LCD		
*Backlight	On/Off selectable		
Power Requirements	110 or 220 VAC to 9V DC Adapter		
Dimension	96 x 96 x 66 mm (3.78 x 3.78 x 2.6 inch)		
Weight	210 g		

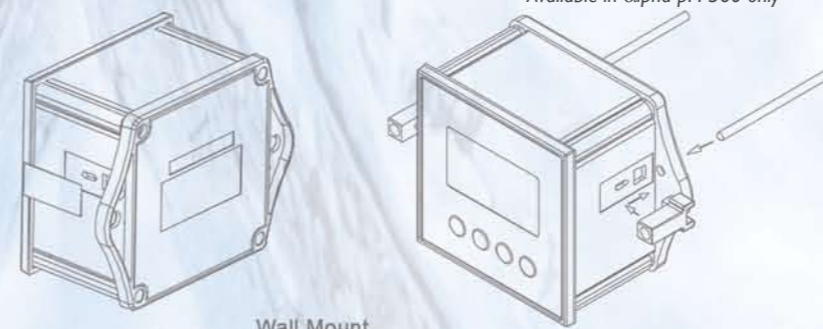
αlpha CON 550/560 Specifications			
	Range	Resolution	Accuracy
Conductivity	*R1): 0-2 µS/cm	0.001 µS/cm	±1% of full scale reading in respective range
	R1 (R2): 0-20 µS/cm	0.01 µS/cm	
	R2 (R3): 0-200 µS/cm	0.1 µS/cm	
	R3 (R4): 0-2000 µS/cm	1 µS/cm	
	R4 (R5): 0-20 mS/cm	0.01 mS/cm	
R5 (R6): 0-200 mS/cm	0.1 mS/cm		
Temperature	-10 °C to 125 °C (14 °F to 257 °F)	0.1 °C (0.1 °F)	±0.5 °C (±0.9 °F)
Sensor	Pt100 / Pt1000 (3 wire / 2 wire) (selectable)		
Temperature Compensation	Auto/Manual (reference at 25 °C)		
Cell Constant	User-selectable (0.10 to 10.00)		
Temperature Coefficient	0 to 10% (selectable)		
Normalisation Temperature	25 °C		
*Controller Function	Limit Control		
*Relay Operating Parameters	LO (Relay active when measured value < set point) HI (Relay active when measured value > set point)		
*Time Delay	0 to 2000 seconds		
*Switching Conductivity Hysteresis	0 to 10% of full scale		
*Contact Output	2 SPST relay		
*Switching Voltage/Current Power	Max 250VAC/Max 3A/MAX 600 VA		
Display	Dual Display Custom LCD		
*Backlight	On/Off selectable		
Power Requirements	110 or 220 VAC to 9V DC Adapter		
Dimension	96 x 96 x 66 mm (3.78 x 3.78 x 2.6 inch)		
Weight	210 g		

* Available in αlpha pH 560 only

* Available in αlpha CON 560 only



Dimensions in mm



Wall Mount